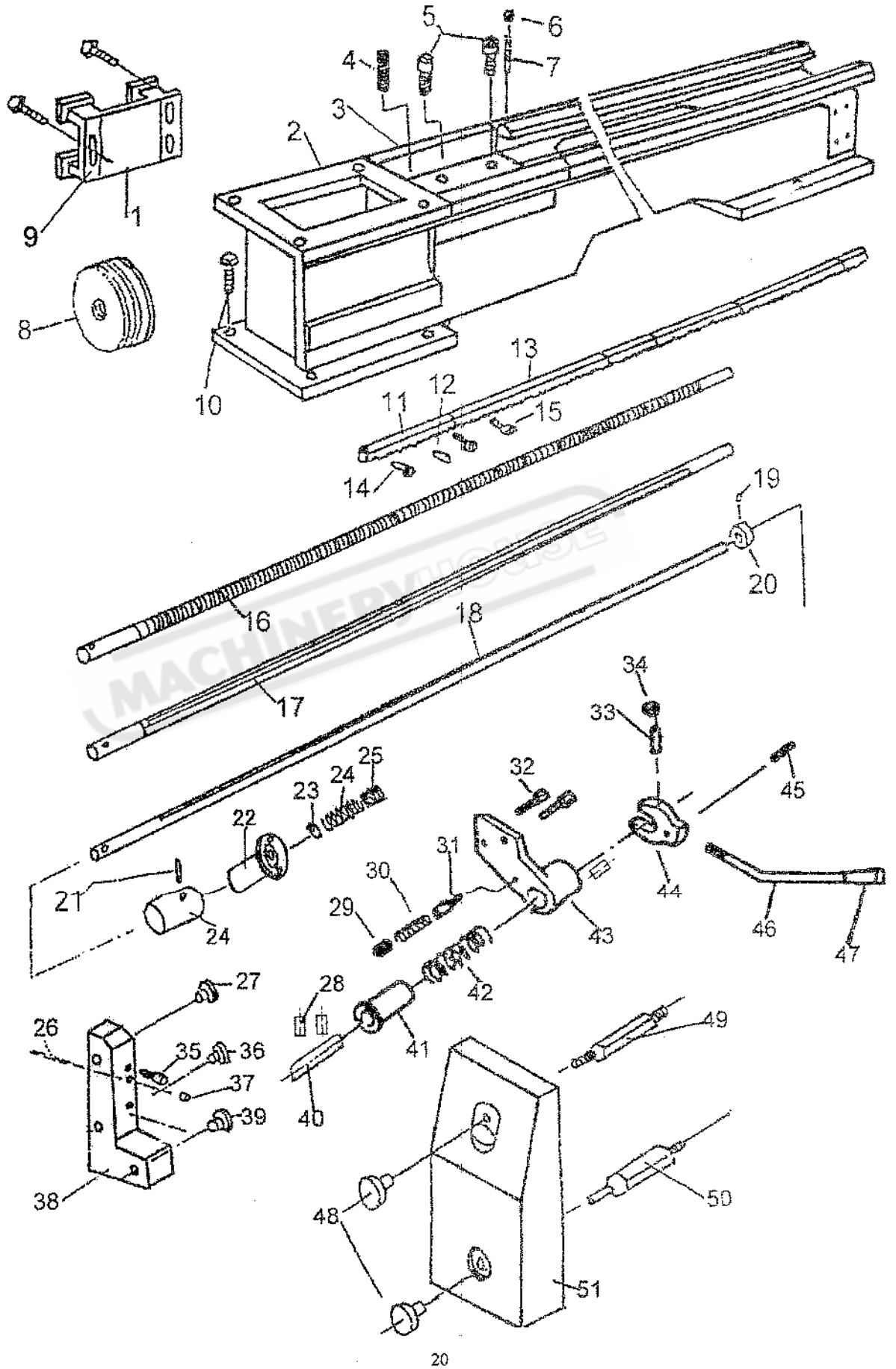
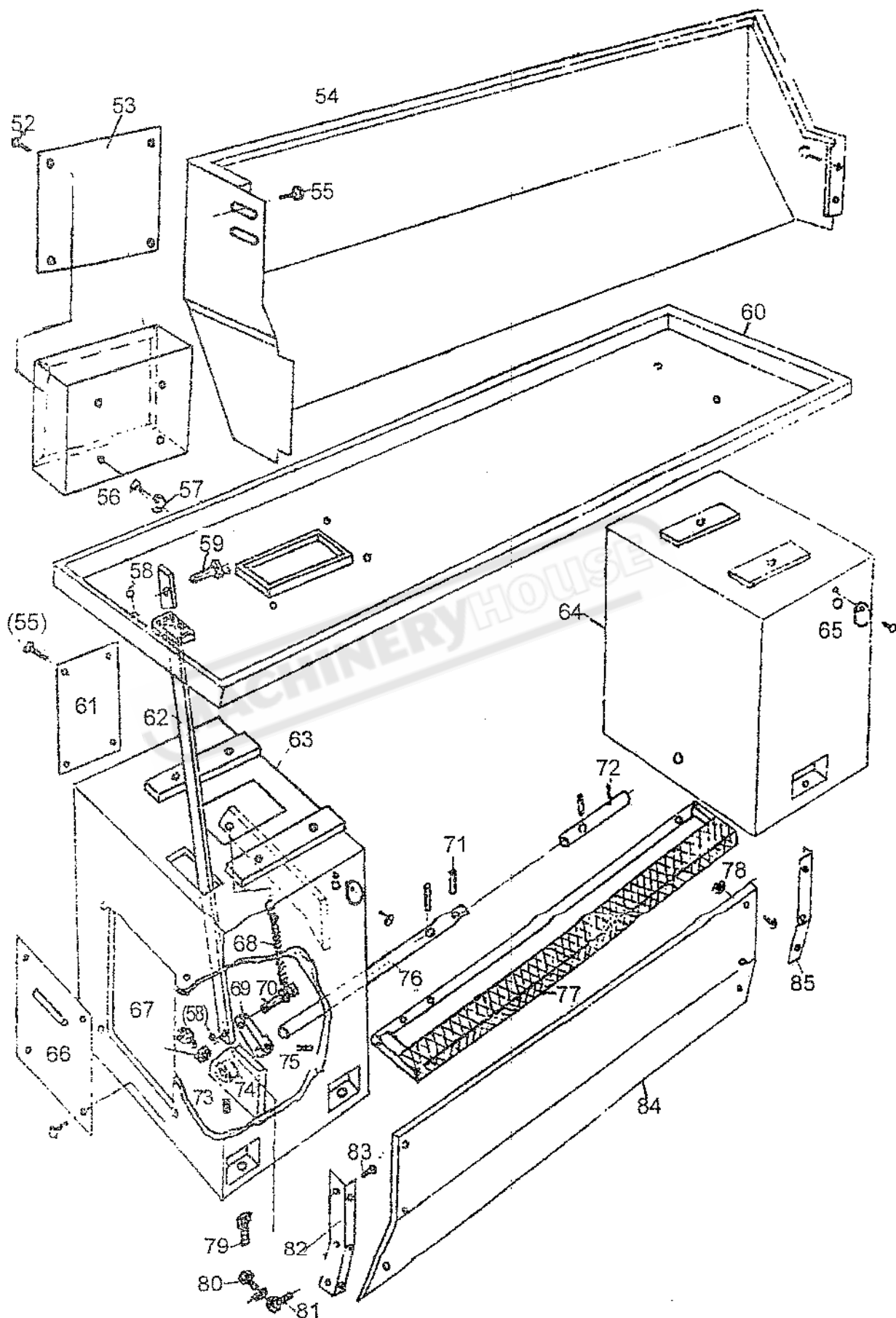


11.BED (1/2)



BED (2/2)



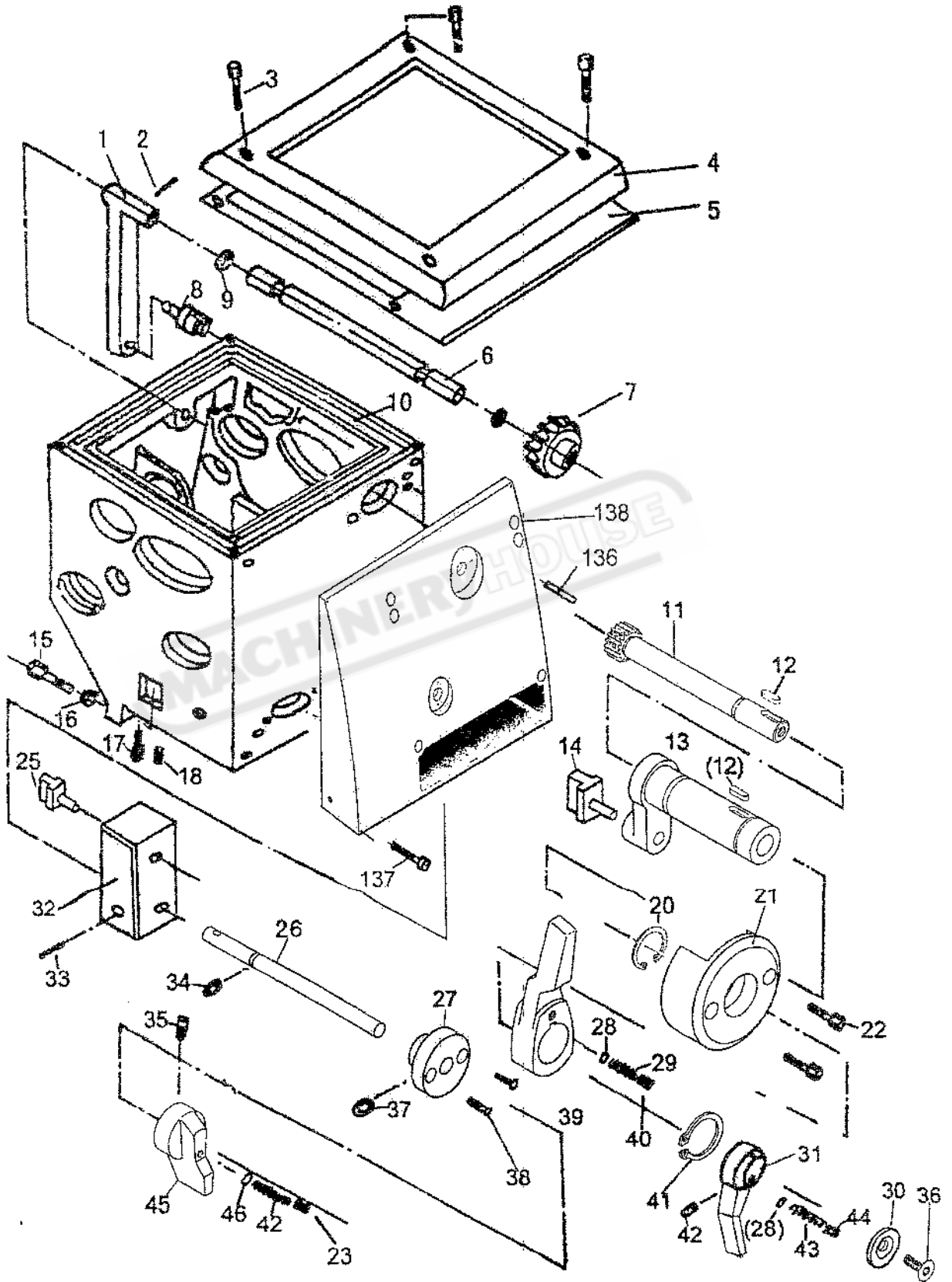
Operation Manual

No.	Part No.	Name	Specification
1	01110	Platform	
2	01101	Bed	
3	01102	Bridge	
4	GB77	Screw	
5	GB70	Screw	M10×40
6	GB6172	Nut	M8
7	GB881	Pin	8×66
8	01106	Pulley	
9	GB5783	Bolt	M10×30
10	GB5782	Bolt	M12×60
11	01203	Rack	
12	GB117	Pin	6×28
13	01204	Rack	
14	GB70	Screw	M6×22
15	GB70	Screw	M6×25
16	01205	Feed Shaft	
17	01206	Third-Rod Shaft	
18	01207	Shaft	
19	GB78	Screw	M5×8
20	01208	Criclip	
21	GB879	Pin	3×25
22	CM6233-2017a	Shaft sheath	
23	GB308	Ball	6
24	GB2089	Spring	
25	01212	Collar	
26	GB117	Pin	6×55
27	01502	Plug	
28	GB119-86	Pin	
29	GB70	Screw	M8×8
30	GB2089	Spring	0.8×5×25
31	C0632-01011 5/6	Pin	
32	GB70	Screw	M6×16
33	GB78	Screw	M6×20
34	GB41	Nut	
35	GB70	Screw	M8×55
36	01503	Pug	
37	GB1155	Oil Cup	8
38	01504	Plug	
39	01113	Bracket	
40	C0632-01011	Key	
41	C0632-01011 3/6	Collar	
42	GB2089	Spring	
43	C0632-01011 1/6	Bracket	

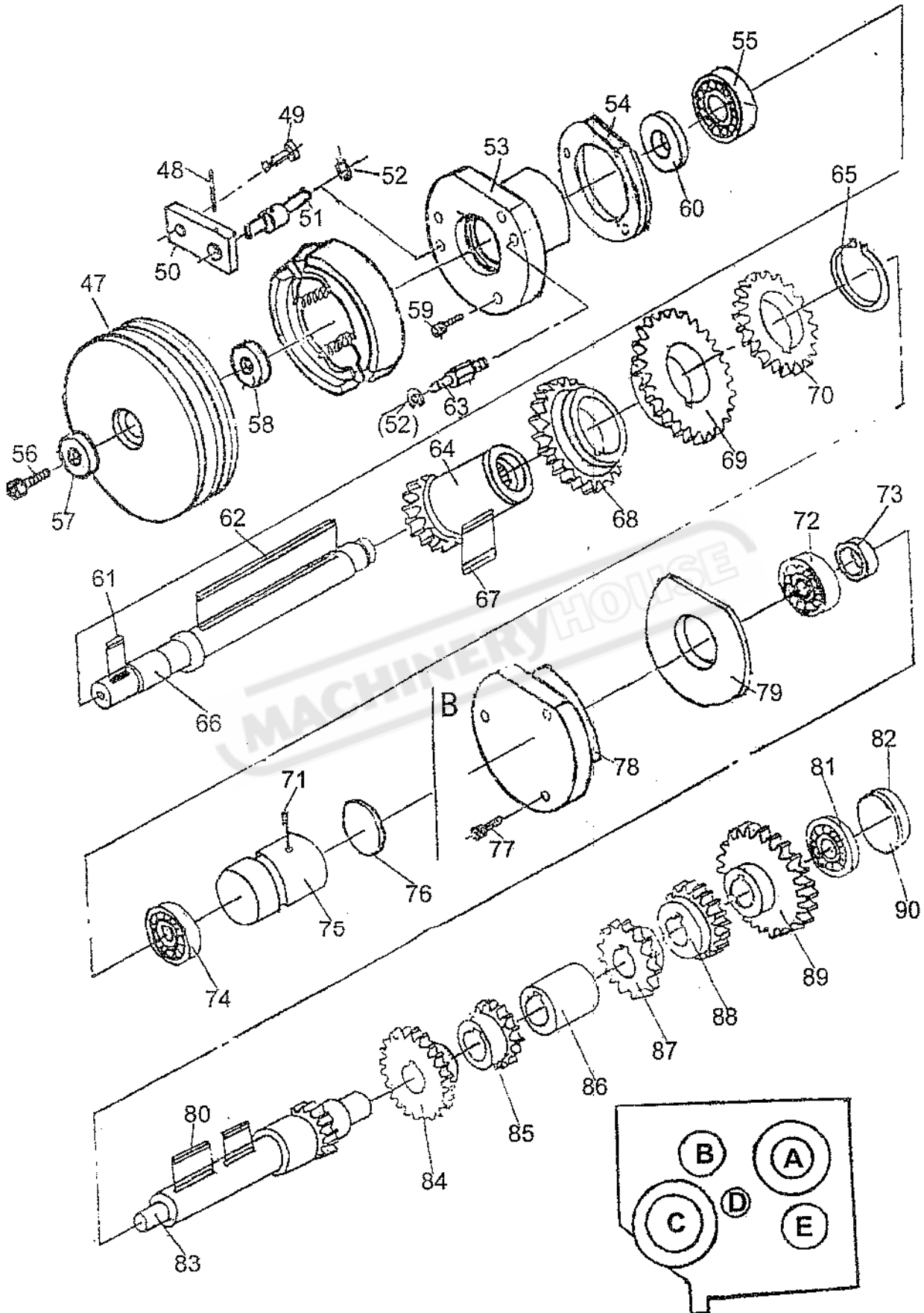
Operation Manual

No.	Part No.	Name	Specification
44	C0632F-01011 4/6	Bracket	
45	GB879	Pin	
46	C0632F-01011 6/6	Lever	
47	GB4741.14	Cover	
48	04247	Nut	
49	04244	Screw	
50	01209	Shaft	
51	C0632A-04513b	Cover(13 ")	
51	C0636A-04513b	Cover(14 ")	
52	GB818	Screw	M5×6
53	12206a	Cover	
54	01224	Splash Guard	
55	GB823	Screw	M6×10
56	GB818	Screw	M6×20
57	GB97.1	Washer	6
58	GB91	Pin	2×12
59	11212	Pin	
60	01223	Oil Plate	
61	01230	Rear Connecting Plate	
62	11208	Brake Pull Rod	
63	01229	Left Mounting Feet	
64	01228	Right	
65	01234	Round Cover	
66	01231	Right Mounting Feet	
67	11213	Cap-Shape Screw	
68	11204	Draw Spring	
69	11206	Pedal Arm	
70	11205	Pin	
71	GB879	Pin	3×25
72	11201	Shaft	
73	GB78	Screw	M8×6
74	11209	Nut	
75	GB879	Spring Pin	
76	11203	Pedal Shaft	
77	11202	Brake	
78	GB5781	Screw	
79	GB5781	Screw	M12×50
80	GB5781	Screw	M10×60
81	01232	Screw	
82	01235-2/3	Base Plate	
83	GB823	Screw	M6×10
84	01235-1/3	Behind Plate	
85	01235-3/3	Front Plate	

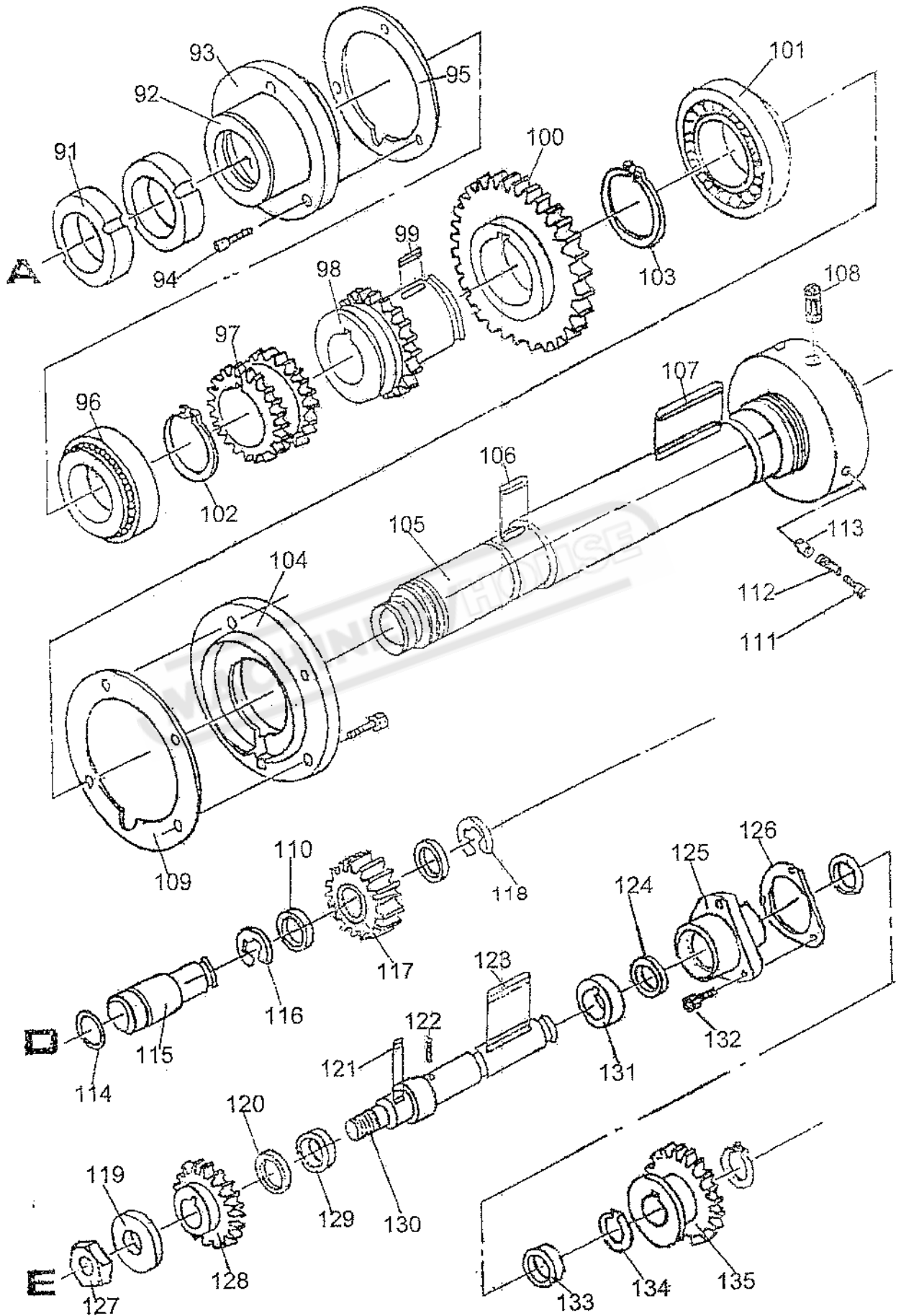
12.HEADSTOCK (1/3)



HEADSTOCK (2/3)



HEADSTOCK (3/3)



Operation Manual

No.	Part No.	Name	Specification
1	32C-04109	Shift Lever	
2	GB879-86	Pin	5×32
3	GB70-85	Screw	M6×18
4	32C-04112b	Casting Cover	
5	32C-04506	Gasket	
6	32-04232	Shaft	
7	32-04234	Gear	
8	32-04233	Shift Lever	
9	GB1235-76	O-Ring	14×2.4
10	32A-04107	Main Casting (13 ")	
10	36A-04107	Main Casting (14 ")	
11	32C/36C-04254b	Gear Shaft (13 " /14 ")	
12	GB1096-79	Key	5×14
13	32A/36A-04216b	Thrift Collar(13 " /14 ")	
14	32-04403	Shift Fork	
15	GB5783-86	Screw	M8×45
16	GB6172-86	Nut	M8
17	GB70-85	Screw	M10×35
18	GB78-85	Screw	M8×12
19	32-04240	Washer	
20	GB1235-76	O-Ring	30×3.1
21	32C-04115b	Cover	
22	GB70-85	Screw	M6×30
23	GB78-85	Screw	M6×16
25	32-04402	Shift Fork	
26	32A-04255b	Shaft	
27	32C-04235b	Collar	
28	GB308-84	Bell Steel	6
29	GB2089-80	Spring	1×6×7
30	32C-04242	Washer	
31	32C-04114	Handle	
32	32-04111	Shift Shaft	
33	GB879-86	Pin	4×18
34	GB1235-76	O-Ring	10×1.9
35	GB78-85	Screw	M6×16
36	32C-04243	Screw	
37	GB1235-76	O-Ring	20×2.4
38	GB70-85	Screw	M4×12
39	32C-04116b	Handle	
40	GB78-85	Screw	M8×8
41	GB894.1-86	Circlip	30
42	GB2089-80	Spring	0.6×4.4×16
43	GB2089-80	Spring	1×6×20
44	GB78-85	Screw	M8×10
45	32C-04110b	Handle	
46	GB308-84	Bell Steel	5

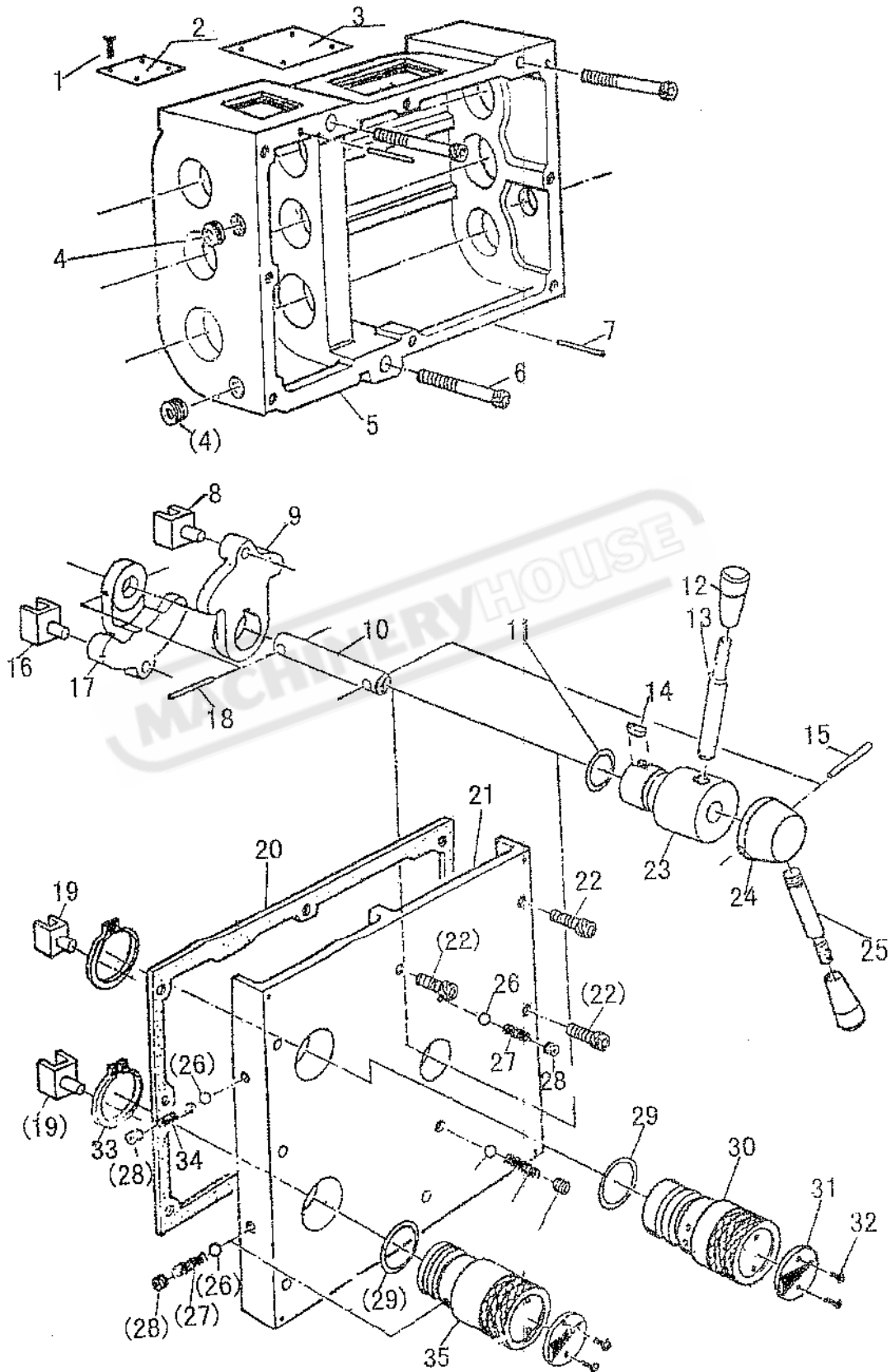
Operation Manual

No.	Part No.	Name	Specification
47	32-04122	Pulley	
48	GB879-86	Pin	5×25
49	32-11212	Pin	
50	32-11210	Rocker	
51	32-11209	Rocker Shaft	
52	GB894.1-86	Circlip	8
53	32-04124	Cover	
54	32-04501-1	Gasket	105E
55	GB276-98	Thrust	M8×15
56	GB70-85	Screw	
57	32-04253	Washer	
59	GB70-85	Screw	M6×16
60	HG4-692-67	Oil Seal	SD25×40×10
61	GB1096-79	Key	8×20
62	GB1096-79	Key	6×120
63	32-11211	Shaft	
65	GB894.1-86	Circlip	35
66	32-04252	Shaft	
64	32-04217	Collar	2×2
67	GB1096-79	Key	5×50
68	32-04218	Gear	2×29
69	32-04219	Gear	2×46
70	32-04220	Gear	2×38
71	GB78-85	Screw	M8×16
72	GB276-88	Thrust	204E
73	32-04211	Washer	
74	GB276-88	Thrust	203
75	32-04106	Front Plug	
76	GB1235-76	O-Ring	40×3.1
77	GB70-85	Screw	M4×12
78	32-04123	Behind Cover	
79	32-04502-1	Gasket	
80	GB1096-79	Key	6×55
81	GB276-88	Thrust	204D
82	GB1235-76	O-Ring	47×3.1
83	32-04212	Shaft	2.25×16
84	32-04210	Gear	2×51
85	32-04209	Gear	2×43
86	32-04221	Washer	
87	32-04222	Gear	2×26
88	32-04223	Gear	2×34
89	32-04224	Gear	2.25×53
90	32-04225	Front Plug	
91	32-04208	Nut	
92	32-04102	Collar	
93	32-04103	Behind Cover	

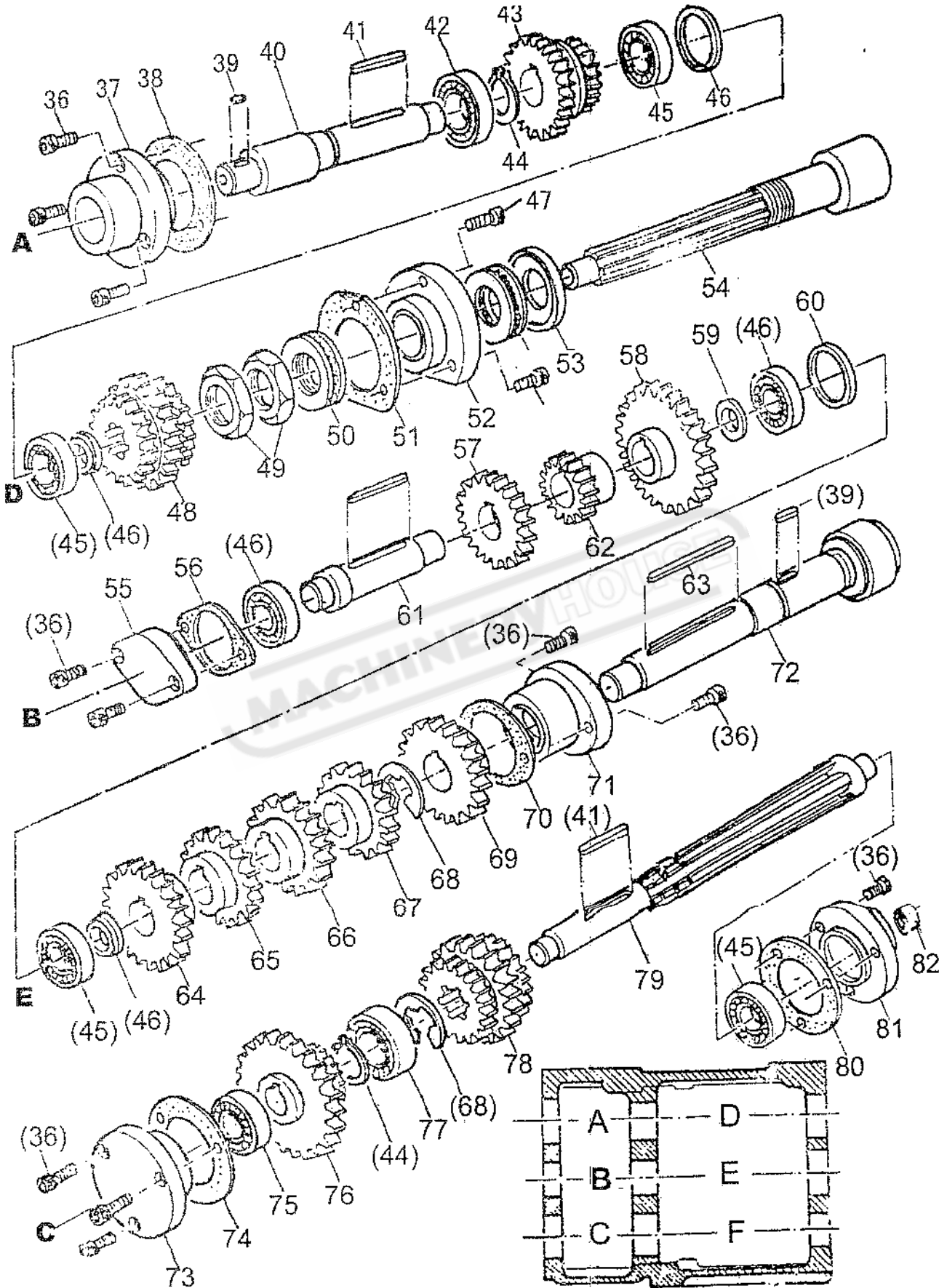
Operation Manual

No.	Part No.	Name	Specification
94	GB78-85	Screw	M6×25
95	32-04503	Gasket	
96	GB297-89	Thrust	7210E
97	32-04207	Gear	2×37
98	32-04227	Gear	2.25×37
99	GB1096-79	Key	8×18
100	32-04226	Gear	2.25×74
101	GB297-89	Thrust	7212D
102	GB894.1-86	Circlip	50
103	GB894.1-86	Circlip	72
104	32-04108	Front Cover	
105	32-04228	Spindle	
106	GB1096-79	Key	6×40
107	GB1096-79	Key	8×85
108	32-04231	Cam	
109	32-04505	Gasket	
110	GB276-88	Thrust	7000104E
111	GB70-86	Screw	M8×18
112	32-04229	Spindle	
113	32-04230	Pin	
114	GB1235-76	O-Ring	25×2.4
115	32-04238	Shaft	
116	GB893.1-86	Circlip	42
117	32-04237	Gear	
118	GB893.1-86	Circlip	42
119	32-04206	Washer	
120	32-04204	Washer	
121	GB1096-79	Key	5×18
122	GB879-86	Pin	3×10
123	GB1096-79	Key	6×50
124	32-04401	Collar	
125	32-04101	Collar	
126	32-04504	Gasket	
127	GB6172-86	Nut	M12
128	32-04205	Gear	
129	32-04507	Oil Seal	
130	32-04239	Shaft	
131	32-04203	Washer	
132	GB70-85	Screw	M5×16
133	32-04202	Washer	
134	GB894.1	Circlip	20
135	32-04201	Gear	
136	GB117-86	Taper Pin	6×35
137	GB70-85	Screw	M6×30
138	32A/36A-04125b	Frame (13 " /14 ")	

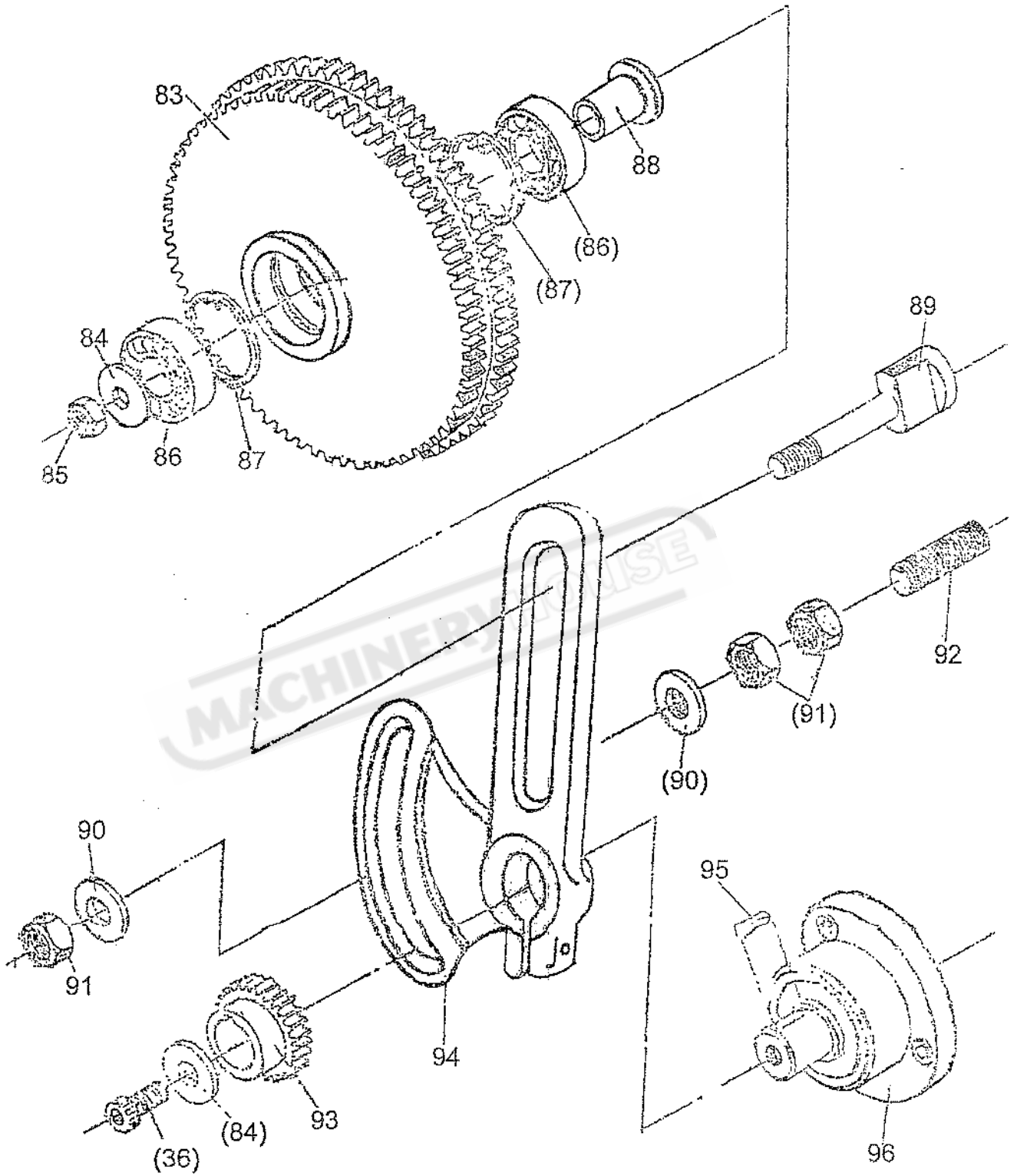
13.GEARBOX (1/3)



GEARBOX (2/3)



GEARBOX (3/3)



Operation Manual

No.	Part No.	Name	Specification
1	GB819	Screw	M4×8
2	05-51	Left Cover	
3	05-52	Right Cover	
4	Q/ZB285.3	Nut	ZG3/8"
5	05-11	Casting	
6	GB70	Screw	M8×65
7	GB879	Pin	5×40
8	05-08	Slipper	
9	05-10	Lever	
10	05-04	Shaft	
11	GB3452.1	O-Ring	25×265
12	GB4141.14	Cover	BM10×50
13	05-01	Lever & Ball	
14	GB1096	Key	5×8
15	GB879	Pin	5×50
16	05-53	Slipper	
17	05-09	Lever	
18	GB879	Pin	5×20
19	05-30	Slipper	
20	05-07	Gasket	
21	C0632A-05113b	Cover	
22	GB70	Screw	M6×20
23	05-03	Handle Base	
24	05-02	Handle Base	
25	05-01	Lever & Ball	
26	GB308	Bell Steel	Φ6.5
27	GB2089	Spring	0.8×5×15
28	GB77	Screw	M8×6
29	GB3452.1	O-Ring	34.5×2.65
30	05-31	Handle	
31	04-49	Washer	
32	GB818	Screw	M3×8
33	GB894.1	Circlip	40

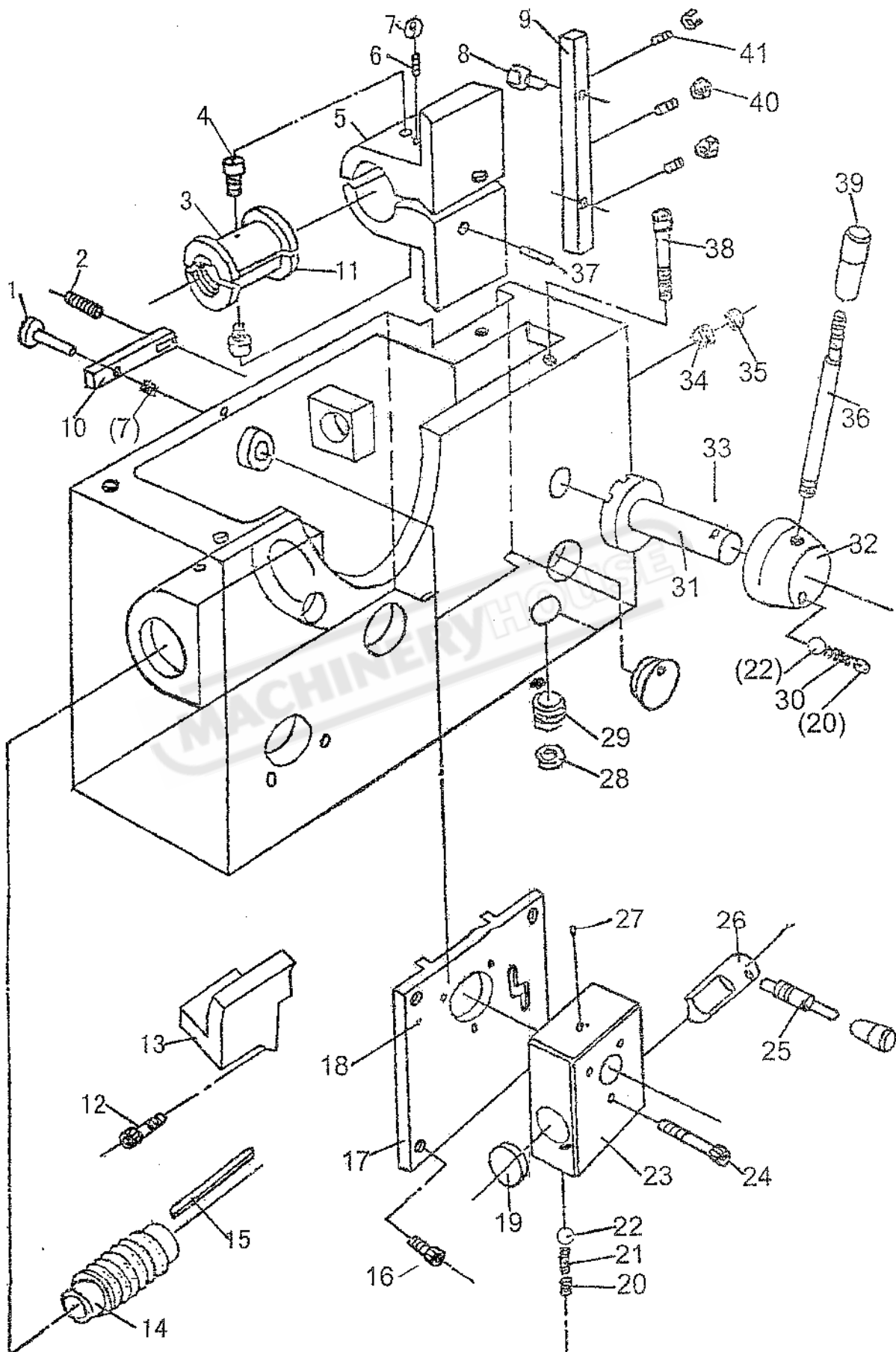
Operation Manual

No.	Part No.	Name	Specification
34	GB2089	Spring	
35	05-32	Handle	
36	GB70	Screw	M6×14
37	05-29	Cover	
38	05-25	Gasket	
39	GB1096	Key	5×14
40	05-39	Shaft	
41	GB1096	Key	5×50
42	GB276	Thrust	104
43	05-38	Gear	
44	GB894.1	Circlip	20
45	GB276	Thrust	202
46	05-44	Washer	
47	GB70	Screw	M6×20
48	05-50	Gear	
49	05-46	Nut	
50	GB301	Thrust	8105
51	05-47	Gasket	
52	05-48	Bush	
53	05-49	Washer	
54	05271	Shaft	
55	05-28	End Cover	
56	05-27	Gasket	
57	05-36	Gear	
58	05-40	Gear	
59	05-42	Washer	
60	05-43	Washer	
61	05-41	Shaft	
62	05-37	Gear	
63	GB1096	Key	
64	05-22	Gear	
65	05-21	Gear	
66	05-19	Gear	

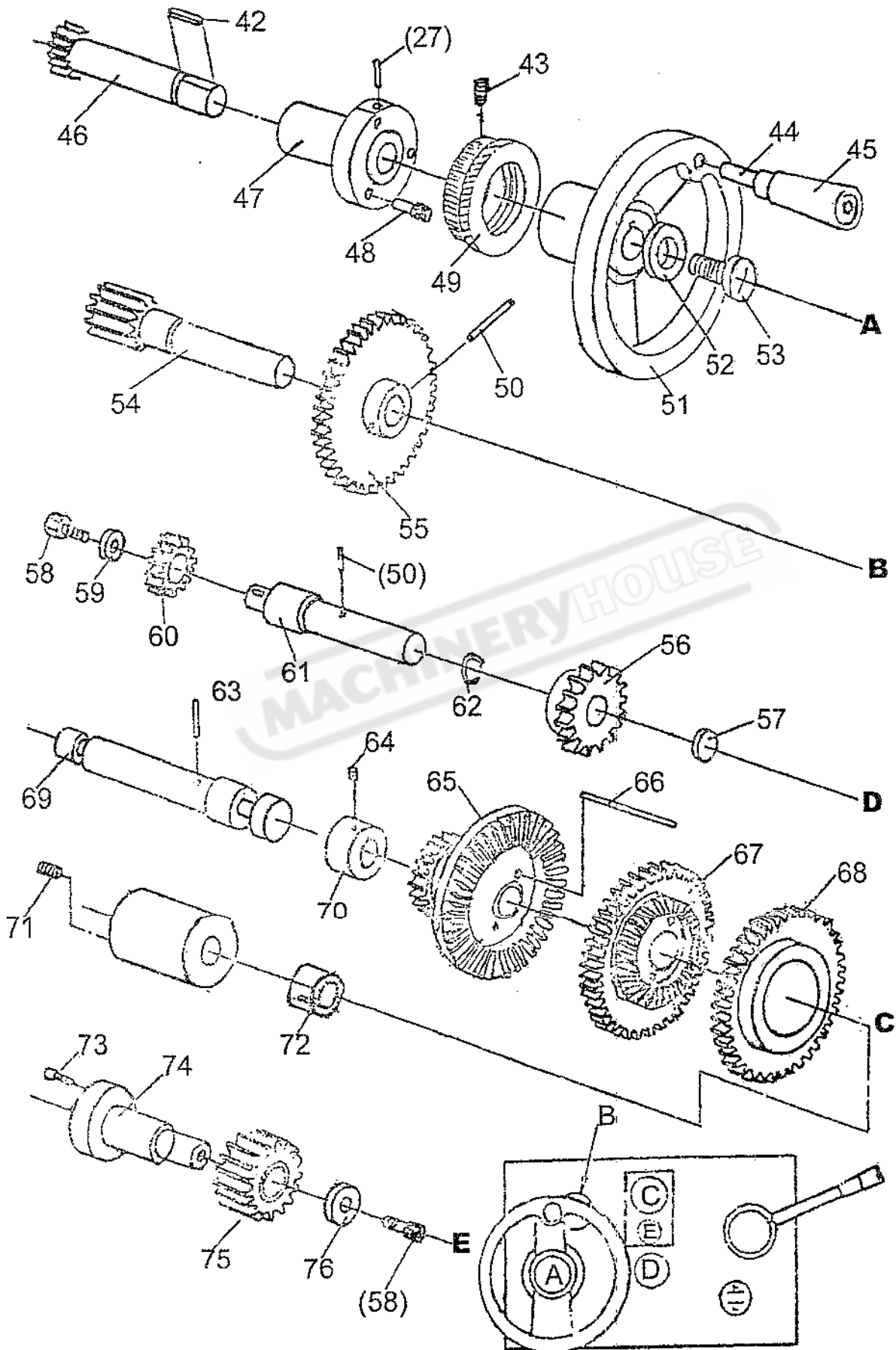
Operation Manual

No.	Part No.	Name	Specification
67	05-18	Gear	
68	GB894.1	Circlip	22
69	05-17	Gear	
70	05-16	Gasket	
71	05-14	Flange	
72	05270	Shaft	
73	05-26	End Cover	
74	05-25	Gasket	
75	GB276	Thrust	302
76	05-24	Gear	
77	GB276	Thrust	104
78	05-20	Gear	
79	05-23	Key Shaft	
80	05-15	Cover	
81	05-13	Cover	
82	05111	Bush	
83	05269	Gear	
84	05-33	Washer	
85	GB6175	Nut	M10
86	GB276	Thrust	103
87	GB893.1	Circlip	35
88	05266	Collar	
89	05268	Screw	
90	05267	Washer	
91	GB6172	Nut	M10
92	05249	Screw Rod	
93	05258	Gear	
94	C0632A-05112b	Gear Frame	
95	GB1096	Key	5×14
96	05-29	Cover	

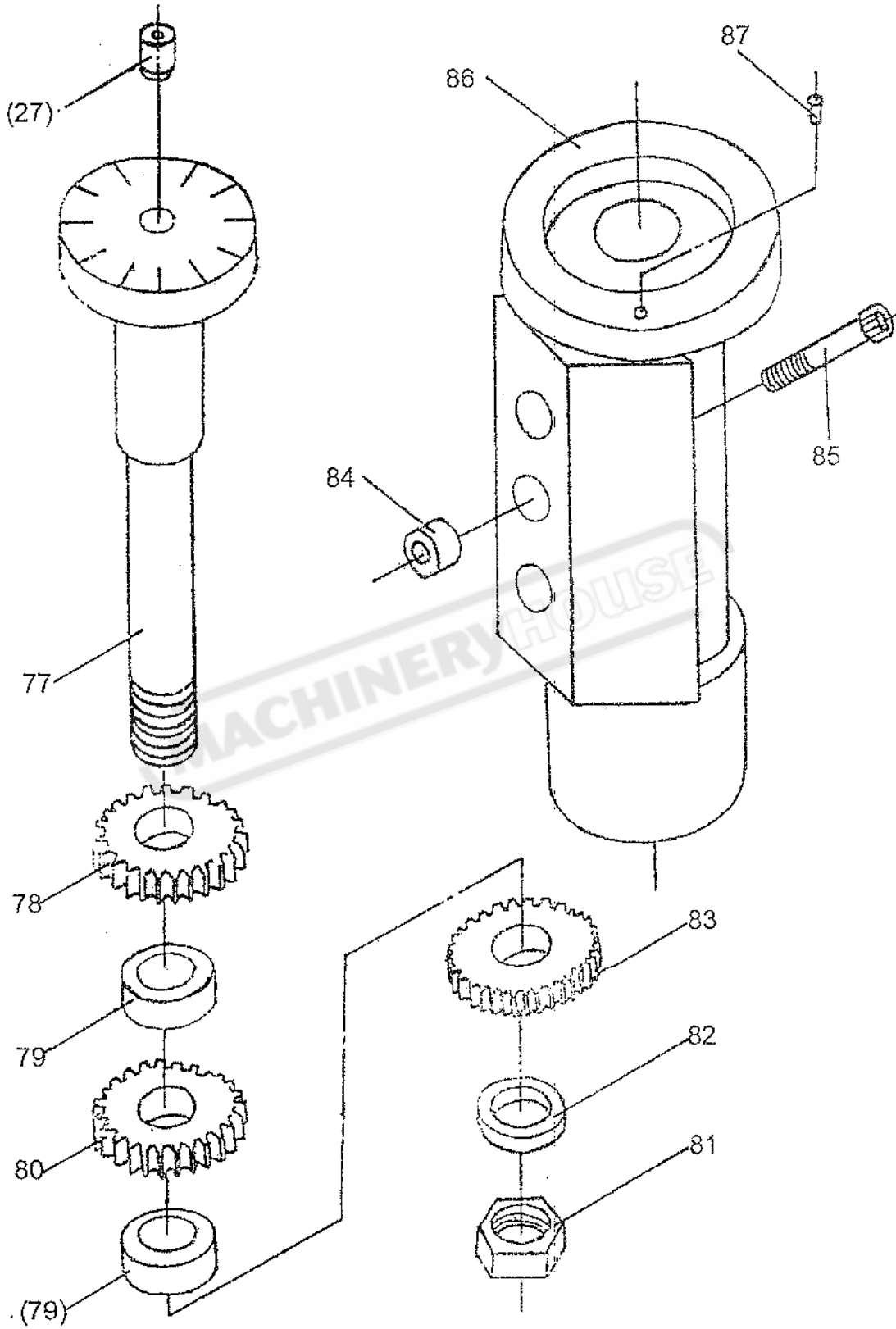
14.APRON (1/3)



APRON (2/3)



APRON (3/3)



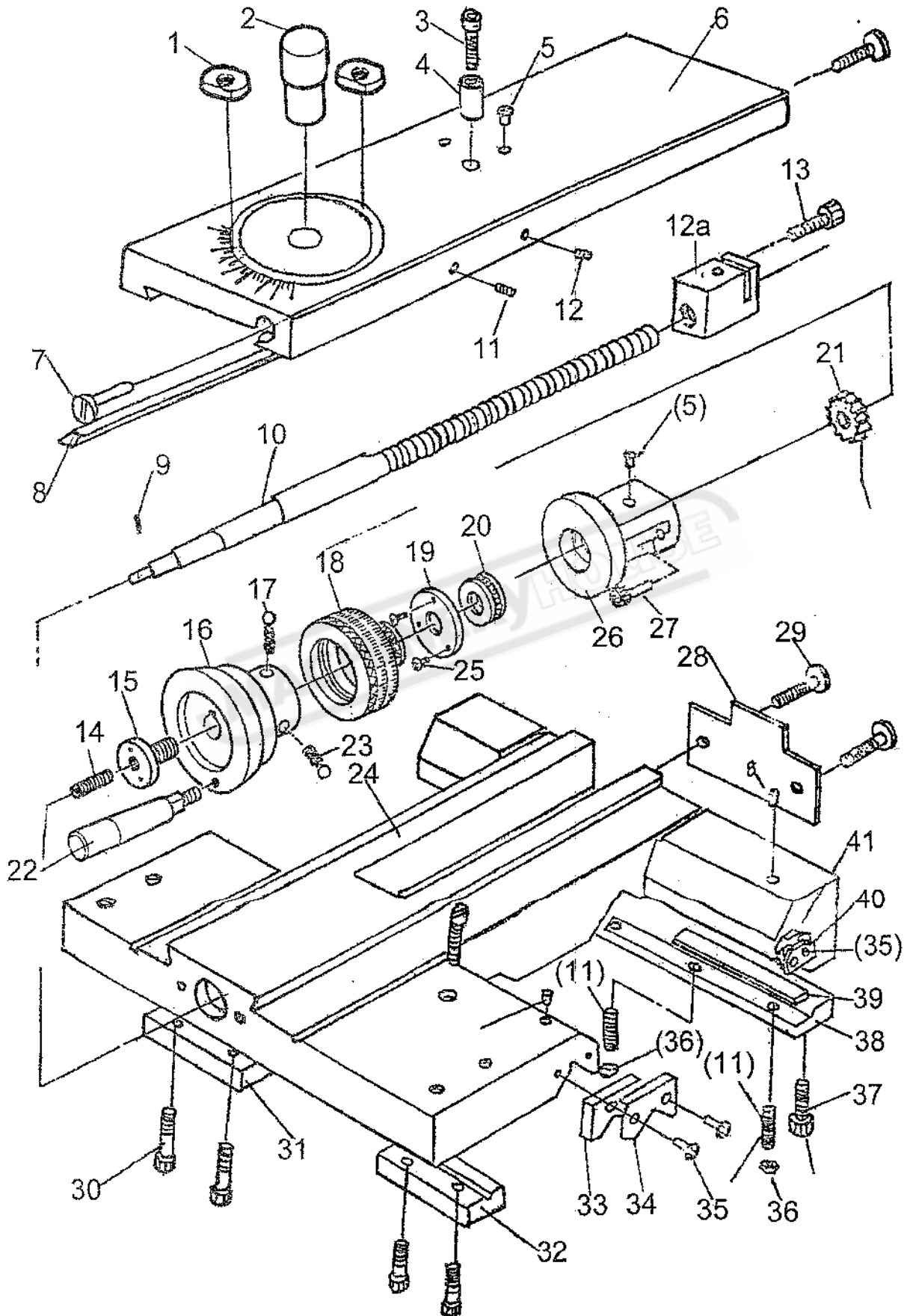
Operation Manual

No.	Part No.	Name	Specification
1	06213	Gear	
2	GB77	Screw	M6×10
3	06427	Haft Nut	
4	GB5783	Screw	M6×12
5	06126	Nut	
6	GB77	Screw	M6×35
7	GB6170	Nut	M6
8	GB5783	Screw	M5×16
9	06107	Gib	
10	06238	Shank	
11	02335	Shaft	
12	GB70	Screw	M6×16
13	06415	Shield	
14	06228	Worm	
15	06260	Key	
16	GB70	Screw	M6×12
17	06104	Cover	
18	GB879	Pin	5×20
19	06554	Plug A	
20	GB78	Screw	M6×6
21	06258	Spring	
22	GB308	Bell Steel	5
23	06103	Foundation	
24	GB70	Screw	M6×35
25	06223	Shift Lever	
26	06222	Shift Lever	
27	GB1155	Oil	8
28	G52.5	Washer	10
29	GB8-2	Plug	M10×1
30	06257	Spring	
31	06225	Shaft	
32	06208	Handle	
33	GB879	Pin	5×32
34	06548	Oil Sight Collar	
35	06549	Oil Sight Collar	
36	06209	Handle	
37	GB119	Pin	8N6×12
38	GB70	Screw	M8×30
39	06553	Lever	
40	GB6170	Nut	M5
41	GB77	Screw	M5×16
42	GB1096	Key	A5×18
43	GB78	Screw	M5×5
44	06239	Screw	

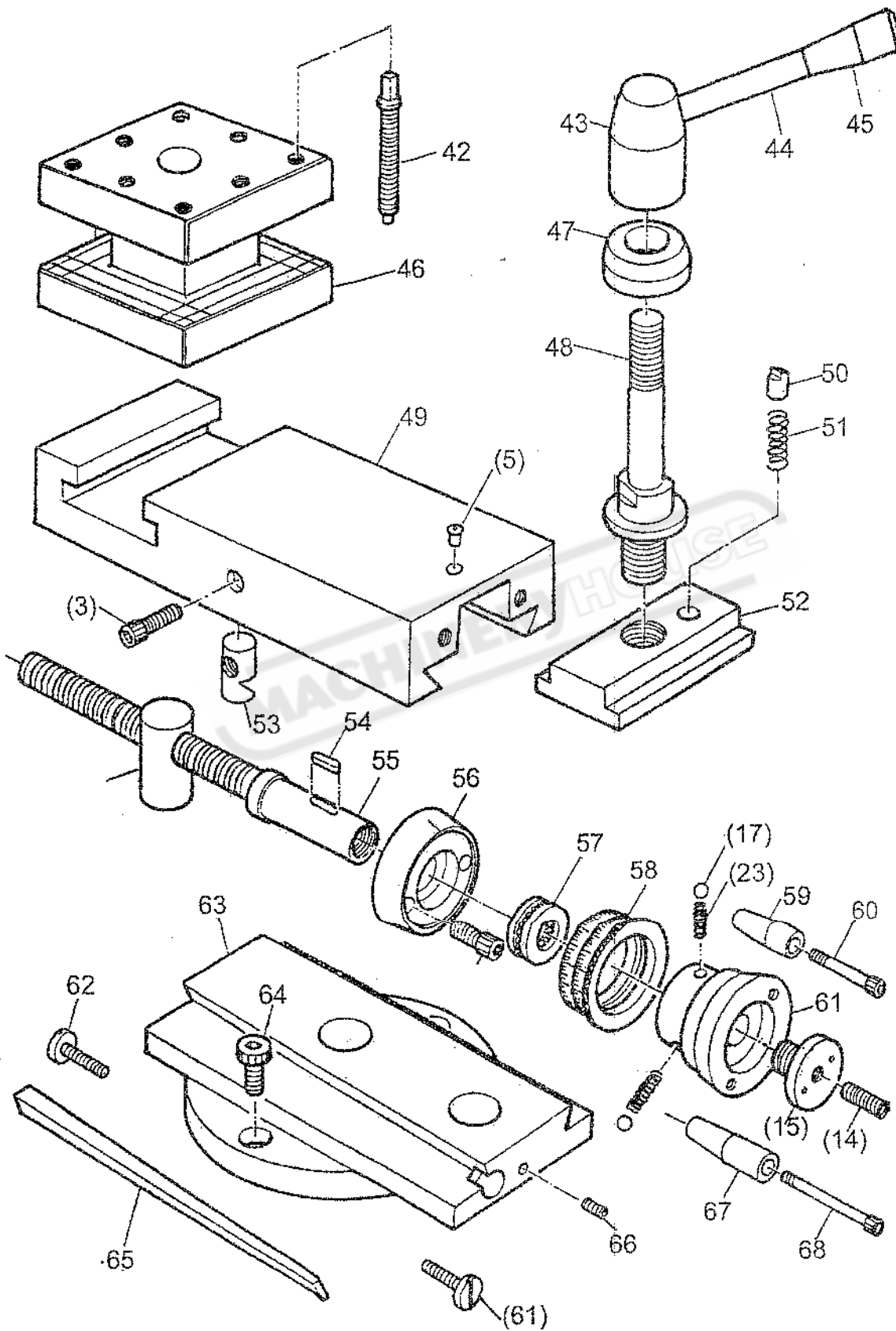
Operation Manual

No.	Part No.	Name	Specification
45	06556	Lever	
46	06212	W-Shaft	
47	06105	Guard	
48	GB70	Screw	M6×25
49	06510	Index Ring	
50	GB879	Pin	5×30
51	06102	Handwheel	
52	06241	Washer	
53	GB823	Screw	M6×12
54	06214	V-Shaft	
55	06213	Gear	
56	06224	Gear	
57	06555	Plug B	
58	GB5783	Screw	M6×10
59	06242	Washer	
60	06429	Worm Gear	
61	06230	IV-Shaft	
62	GB125	O-Ring	2.4×20
63	GB897	Pin	3×25
64	GB78	Screw	M6×10
65	06218	Gear	
66	GB119	Pin	5NN×25
67	06219	Gear	
68	06220	Gear	
69	06216	III-Shaft	
70	06417	Cover	
71	GB77	Screw	M6×6
72	06421	Shift Fork	
73	GB70	Screw	M5×12
74	06232	II -Shaft	
75	06231	Worm Gear	
76	06240	Washer	
77	06233	Shaft	
78	06436	Gear	
79	06237	Washer	
80	06435	Gear	
81	GB6170	Nut	M8
82	GB859	Washer	8×1.6×2.5
83	06434	Gear	
84	06206	Washer	
85	GB70	Screw	M8×50
86	06105	Guard	
87	GB827	Rivet	3×8

15. CROSS SLIDE (1/2)



CROSS SLIDE (2/2)



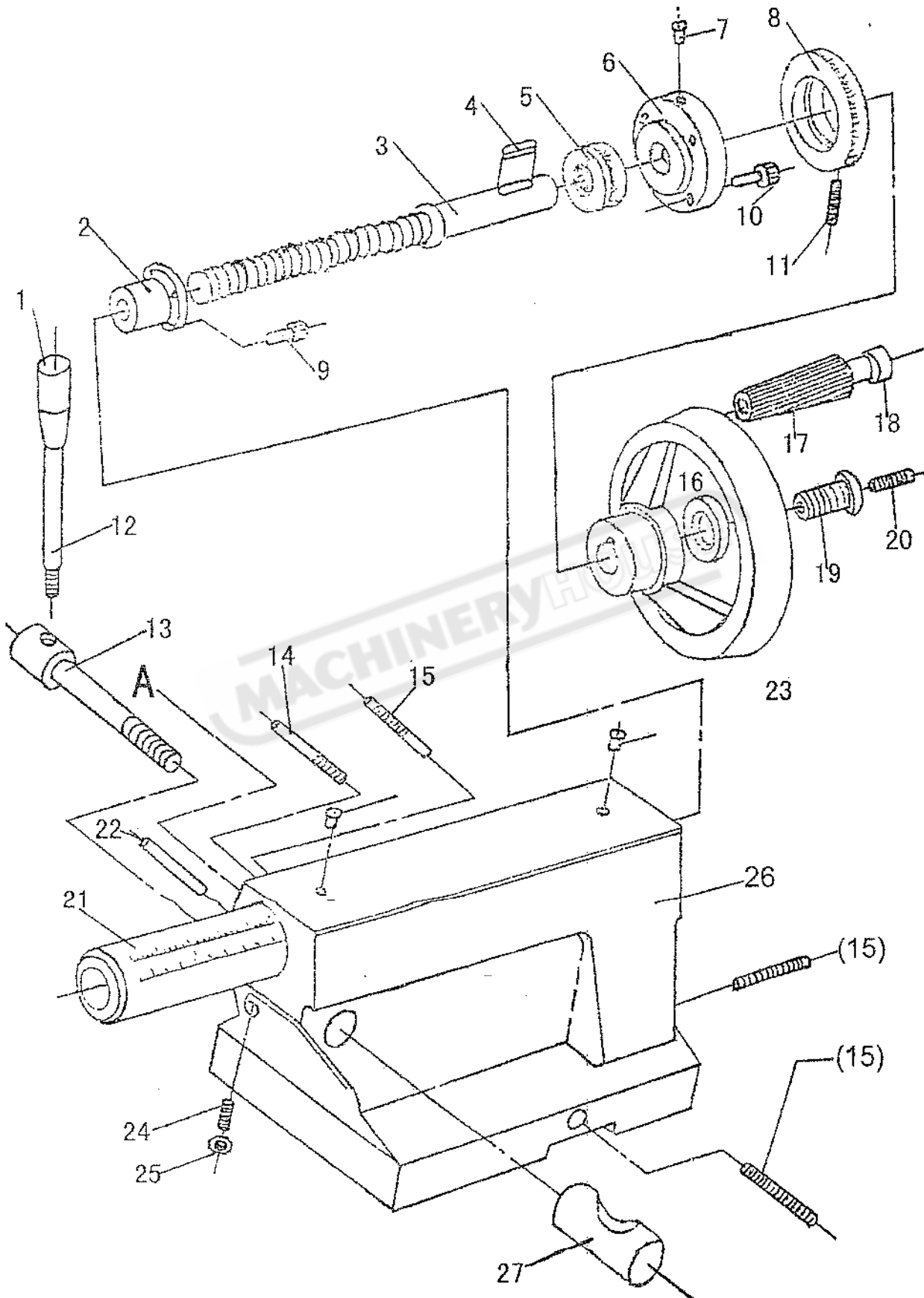
Operation Manual

No.	Part No.	Name	Specification
1	CL6132-07-07	Slide	
2	CL6132-07-08	Slide Axis	
3	GB70	Screw	M6×16
4	C0632-07216	Bushing	
5	GB1155	Oil Cup	
6	CT0632-07-01	Cross Slide	
7	CM6233-3023	Bolt	
8	CM6033-3022	Gib	
9	GB879	Pin	3×16
10	CT0632-07-05	Leadscrew	
11	GB77	Screw	6×26
12	GB77	Screw	M8×10
12a	C0632-07415	Nut	
13	GB78	Screw	M6×16
14	GB78-85	Screw	M6×25
15	CL6132-07-15	Screw	
16	CL6132-07-16	Handwheel	
17	GB308	Bell Steel	Φ6
18	CL6132-07-17	Index Ring	
19	CL6132-07-18	Cover	
20	GB301	Bearing	8102
21	CM6233-3013	Gear	
22	C0632-07207b	Lever	
23	GB2089	Spring	0.7×5×9
24	C0632-07101	Saddle Casting	
25	GB818-85	Screw	M5×10
26	C0632-07120	Keep Assr	
27	GB70	Screw	M6×25
28	C0632-07225	Plate	
29	GB823	Screw	M8×12
30	GB5783	Screw	M8×20
31	C0632-07123	Strip	
32	C0632-07141	Front Strip	
33	C0632-07528	Wiper	
34	C0632-07227	Plate	

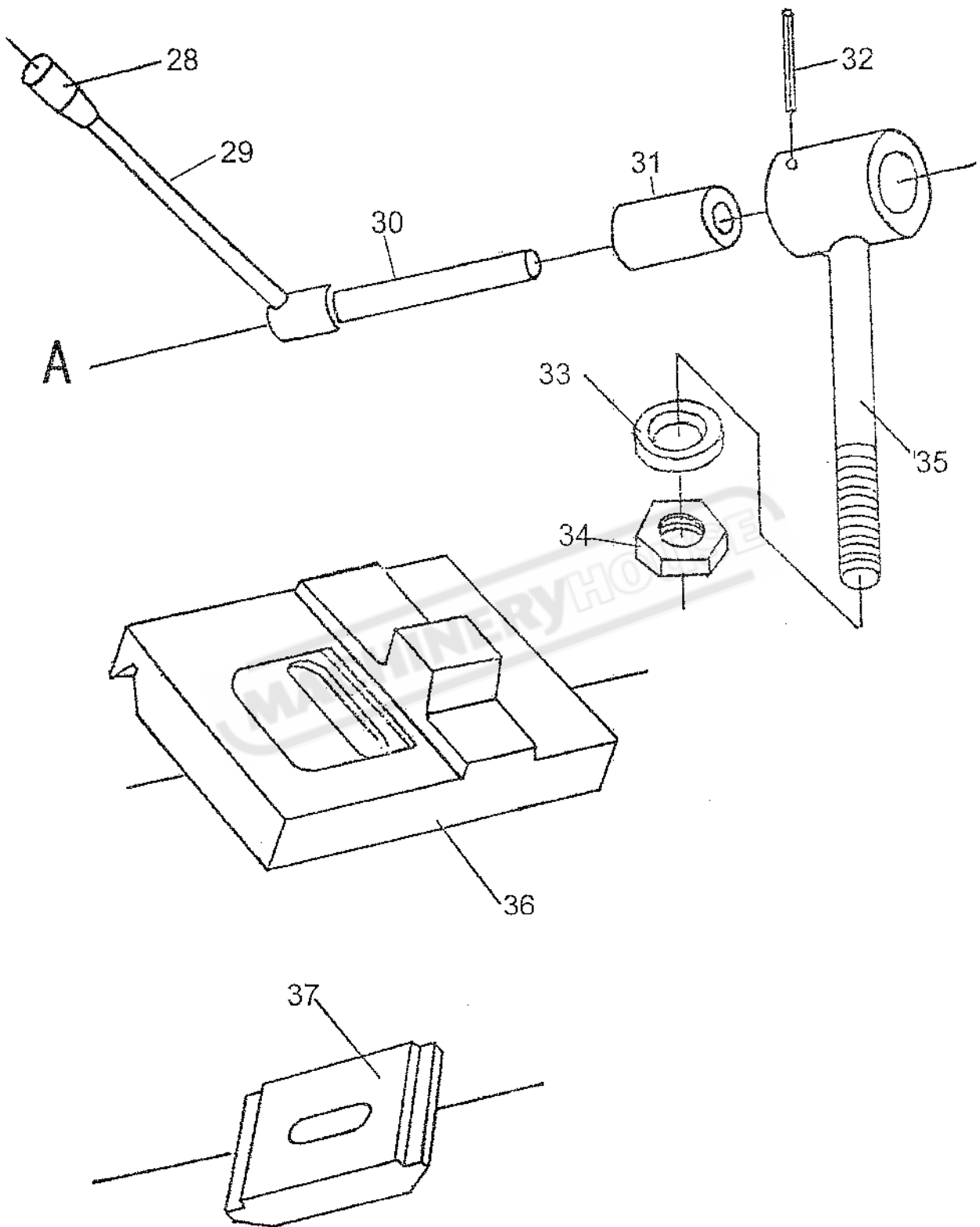
Operation Manual

No.	Part No.	Name	Specification
35	GB823	Screw	M4×12
36	GB6170	Nut	M6
37	GB5783	Screw	M8×25
38	C0632-07132	Strip	
39	C0632-07239	Strip	
40	C0632-07224	Plate	
41	C0632-07526	Wiper	
42	GB83	Screw	M10×50
43	GB4141.16	Collar	BM16×32
44	CL6132-07-36	Bolt	
45	GB4141.14	Collar	M10×50
46	CL6132-07-32	Tool Post	
47	CL6132-07-33	Washer	
48	CL6132-07-34	Shaft	
49	CL6132-07-49	Gib	
50	CL6132-07-29	Wiper	
51	GB2089	Spring	1×8×11
52	CL6132-07-37	Plate	
53	CL6132-07-09	Wiper	
54	GB1096	Key	4×14
55	CL6132-07-40	Leadscrew	
56	CL6132-07-41	Bracket	
57	GB301	Bearing	8103
58	CL6132-07-42	Index Ring	
59	CL6132-07-43	Collar	
60	GB70	Screw	M5×25
61	CL6132-07-48	Handwheel	
62	CL6137-07-28	Screw	
63	CL6132-07-11	Swivel Slide	
64	GB70	Gib	M8×16
65	CL6132-07-10	Screw	
66	GB80	Collar	M6×16
67	CL6132-07-44	Screw	
68	GB70	Screw	M5×40

16.TAILSTOCK (1/2)



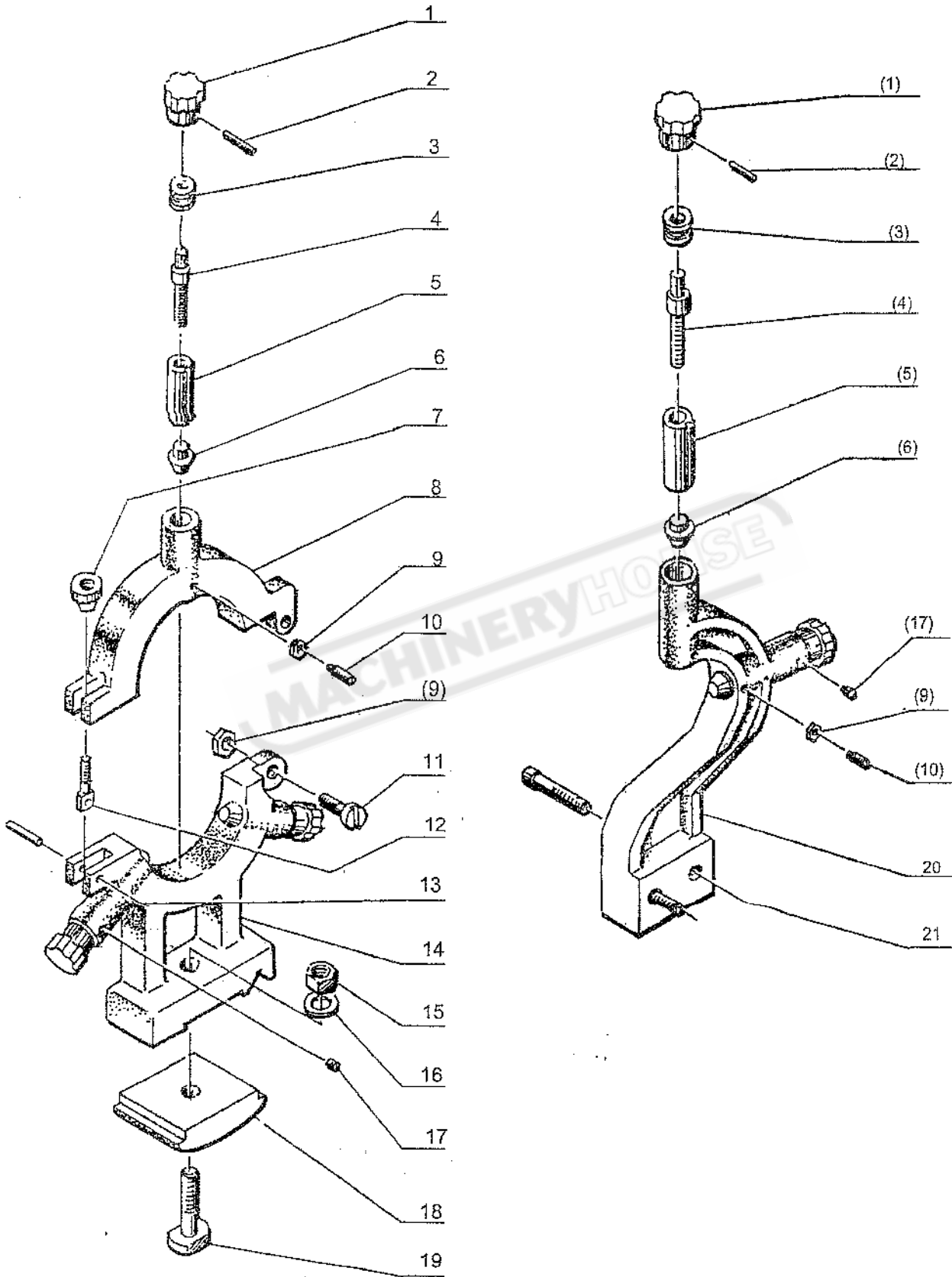
TAILSTOCK (2/2)



Operation Manual

No.	Part No.	Name	Specification
1	JB1342	Gover	M8×40
2	08401	Nut	
3	08203	Screw	
4	GB1096	Key	4×15
5	GB301	Thrust	8102
6	08102	Hanger Cover	
7	GB1155	Oil	8
8	08402	Index Ring	
9	GB70	Screw	M4×10
10	GB70	Screw	M6×16
11	GB78	Screw	M6×10
12	08207	Screw	
13	08208	Shaft	
14	08209	Screw	
15	GB78	Screw	M10×45
16	08204	Washer	
17	08501	Lever	
18	08206	Screw	
19	08205	Screw	
20	GB73	Screw	M5×18
21	08202	Barrel	
22	08209	Screw	
23	08103	Handwheel	
24	GB79	Screw	M8×35
25	GB6172	Nut	M8
26	08101	Casting	
27	08403	Lock Block	
28	JB1342	Gover	M10×50
29	08214	Screw	
30	08213	Shaft	
31	08211	Collar	
32	GB879	Pin	5×24
33	GB97.1	Washer	B12
34	GB6170	Nut	M12
35	08212	Screw	
36	08105	Base	
37	08104	Clamp Plate	

17. CENTER REST



Operation Manual

No.	Part No.	Name	Specification
1	JB1360	Knob	32×8
2	GB119	Pin	3×18
3	10203	Collar	
4	10204	Screw	
5	10201	Collar	
6	10401	Clapping Head	
7	10205	Nut	
8	10101	Upside Of Center Rest	
9	GB6170	Nut	M6
10	GB79	Screw	M6×18
11	GB65	Screw	M6×30
12	10206	Screw	
13	GB879	Pin	5×24
14	10102	Downside Of Center Rest	
15	GB6170	Nut	M12
16	GB97.1	Washer	12
17	GB78	Screw	M6×6
18	10103	Clamp	
19	GB37	Screw	M12×65
20	10104	Follow Rest	
21	GB70	Nut	M8×46